



SLIM LOW ESP DUCT

Healthy

UVC Sterilization

The built-in LED UV lights kill airborne hazards when the air circulates from air inlet, ensuring the clean air out.

*AD35S2SS1FA(H)/AD50S2SS1FA(H)/AD71S2SS1FA(H)



Antibacterial Filter

Silver (Ag) is a natural antibacterial material, which has good broad-spectrum antibacterial properties and could motivate bacterial extinction.

Haier antibacterial filter has added silver ions and antibacterial organics to kill Escherichia coli & Staphylococcus aureus effectively, with long lasting effects.



Comfortable

Super Silent

Night Quiet mode only 23dB(A) leading in the industry.



3D Airflow Grille

Air inlet and outlet grille can improve the decoration greatly. Furthermore, the 3D air outlet grille can send the warm air to the ground in winter to avoid the "cold feet" feeling in winter.



Smart

WiFi

Besides normal wired/infrared control, Haier supplies Smart Control from hOn APP, including the on/off, operation mode selection, fan speed temperature, and air flow adjustment, schedule, UV function and steri-clean 56°C, etc.



Convenient

Super Thin Design

The height of slim low pressure duct unit is 185mm only, which is advanced in the industry and make the silmmost ceiling drop.



Left or Right Drain Outlet

Drain direction can be left or right according to the layout.



Built in Drain Pump

We have two models as option, one is with drain pump, the other one is with no drain pump, it is easy for the designer to design the product location.



Adjusted ESP by Wired Controller

We takes DC fan motor design, ESP can be adjusted by wired controller YR-E17A/YR-E16B, so installer don't need to climb the ladders to adjust ESP; There are 4 steps ESP can be adjusted by wired controller, represent for: 0/10/20/40 Pa.



Note: If the installer use wireless controller for duct unit, they need to change the pressure level by PCB dip switch

Slim Low ESP Duct



3.5 / 5.0 / 7.1kW



MODEL	Standard Indoor unit(drain pump included)			AD35S2SS1FA	AD35S2SS1FA(H)	AD50S2SS1FA	AD50S2SS1FA(H)	AD71S2SS1FA	AD71S2SS1FA(H)
	Optional Indoor unit(drain pump excluded)			AD35S2SS2FA		AD50S2SS2FA		AD71S2SS2FA	
	Outdoor unit			1U35S2SM1FA-2	1U35S2SM1FA-2	1U50S2SJ2FA	1U50S2SJ2FA	1U71S2SR2FA	1U71S2SR2FA
Nominal performance data	Capacity	Cooling	Btu/h (nominal)	12000	12000	17000	17000	24000	24000
			kW nominal(min-max)	3.50(0.9-4.5)	3.50(0.9-4.5)	5.0(1.8-6)	5.0(1.8-6)	7.1(2-7.6)	7.1(2-7.6)
	Rated power input	Heating	Btu/h (nominal)	13700	13700	18800	18800	24200	24200
			kW nominal(min-max)	4.00(1-4.8)	4.00(1-4.8)	5.5(2-6.2)	5.5(2-6.2)	7.5(3-8.3)	7.5(3-8.3)
		Cooling	kW nom(min-max)	1.06(0.28-1.8)	1.06(0.28-1.8)	1.53(0.55-2.1)	1.53(0.55-2.1)	2.20(0.5-3.0)	2.20(0.5-3.0)
Seasonal performance data		Heating	kW nom(min-max)	1.07(0.28-1.8)	1.07(0.28-1.8)	1.47(0.6-2.1)	1.47(0.6-2.1)	2.01(0.6-2.9)	2.01(0.6-2.9)
		EER/COP		3.3/3.73	3.3/3.73	3.26/3.73	3.26/3.73	3.24/3.73	3.24/3.73
		Cooling P design(35°C)	kW	3.5	3.5	5	5	7.1	7.1
		Heating P design(-10°C)	kW	3	3	4.3	4.3	5	5
		SEER/SCOP		6.1/3.8	6.1/3.8	6.1/3.8	6.1/3.8	6.1/3.8	6.1/3.8
		Energy class(Cooling/Heating)		A++/A	A++/A	A++/A	A++/A	A++/A	A++/A
		Annual energy consumption(Cooling)	kW	241	241	315	315	406	406
	Annual energy consumption(Heating)	kW	1427	1427	1961	1961	1836	1836	
INDOOR UNIT									
Electrical Parameters	Power supply	Ph/V/Hz		1/220-240/50/60	1/220-240/50/60	1/220-240/50/60	1/220-240/50/60	1/220-240/50/60	1/220-240/50/60
	Air flow(H/M/L)	m³/h		600/480/420	600/480/420	900/750/600	900/750/600	1000/850/750	1000/850/750
Performance	External static pressure	Pa		0/10/20/40	0/10/20/40	0/10/20/40	0/10/20/40	0/10/20/40	0/10/20/40
	Sound power level(H/M/L)	dB(A)		53	53	54	54	57	57
	Sound pressure level(H/M/L)	dB(A)		33/28/25	33/28/25	36/34/32	36/34/32	49/46/44	49/46/44
	External dimensions(W/D/H)	mm		850/420/185	850/420/185	1170/420/185	1170/420/185	1170/420/185	1170/420/185
Installation	Shipping dimensions(W/D/H)	mm		1045/530/260	1045/530/260	1365/530/260	1365/530/260	1365/530/260	1365/530/260
	Net/Shipping weight	kg		16/21	16/21	22/28	22/28	25.2/28.4	25.2/28.4
	Controller	optional		YR-E17A YR-HQS01	YR-E17A YR-HQS01	YR-E17A YR-HQS01	YR-E17A YR-HQS01	YR-E17A YR-HQS01	YR-E17A YR-HQS01
Panel	Panel Model			P1B-890IA/D	P1B-890IA/D	P1B-1210IA/D	P1B-1210IA/D	P1B-1210IA/D	P1B-1210IA/D
	External dimensions(W/D/H)	mm		890/190/100(outlet panel)/ 890/290.5/32.4(inlet panel)	890/190/100(outlet panel)/ 890/290.5/32.4(inlet panel)	1210/190/100(outlet panel)/ 1210/290.5/32.4(inlet panel)	1210/190/100(outlet panel)/ 1210/290.5/32.4(inlet panel)	1210/190/100(outlet panel)/ 1210/290.5/32.4(inlet panel)	1210/190/100(outlet panel)/ 1210/290.5/32.4(inlet panel)
	Shipping dimensions(W/D/H)	mm		938/335/220	938/335/220	1258/335/220	1258/335/220	1258/335/220	1258/335/220
	Net/Shipping weight	kg		4/5	4/5	5/6	5/6	5/6	5/6
OUTDOOR UNIT									
Electrical Parameters	Power supply	Ph/V/Hz		1/220-240/50	1/220-240/50	1/230/50	1/230/50	1/220-240/50/60	1/220-240/50/60
	Air flow (H)	m³/h		2000	2000	2500	2500	3000	3000
Performance	Sound power level	dB(A)		61	61	63	63	67	67
	Sound pressure level	dB(A)		48	48	51	51	54	54
	External dimensions(W/D/H)	mm		800/275/553	800/275/553	820/338/614	820/338/614	890/353/697	890/353/697
Installation	Shipping dimensions(W/D/H)	mm		908/405/625	908/405/625	993/413/685	993/413/685	1046/460/780	1046/460/780
	Net/Shipping weight	kg		30/32.9	30/32.9	37.8/41.5	37.8/41.5	45/50	45/50
	Compressor type			Rotary	Rotary	Twin rotary	Twin rotary	Twin rotary	Twin rotary
	Refrigerant type			R32	R32	R32	R32	R32	R32
	GWP			675	675	675	675	675	675
	Refrigerant liquid pipe	mm		6.35	6.35	6.35	6.35	9.52	9.52
	Refrigerant gas pipe	mm		9.52	9.52	12.7	12.7	15.88	15.88
	Max pipe length	m		15	15	25	25	50	50
	Max drop between I.U.&O.U	m		10	10	15	15	30	30
	Refrigerant load in factory	kg		0.78	0.78	0.95	0.95	1.3	1.3
Working temp.	Maximum pipe length without charge refrigerant	m		7	7	7	7	10	10
	Refrigerant charge quantity for extra length	g/m		20	20	20	20	45	45
	Cooling(Min-Max)	°C		-10-46	-10-46	-10-46	-10-46	-10-46	-10-46
	Heating(Min-Max)	°C		-15-24	-15-24	-15-24	-15-24	-15-24	-15-24

* Data is pending;



New design 3D airflow air grille



Super slim design, only 185mm



Return air-intake choices

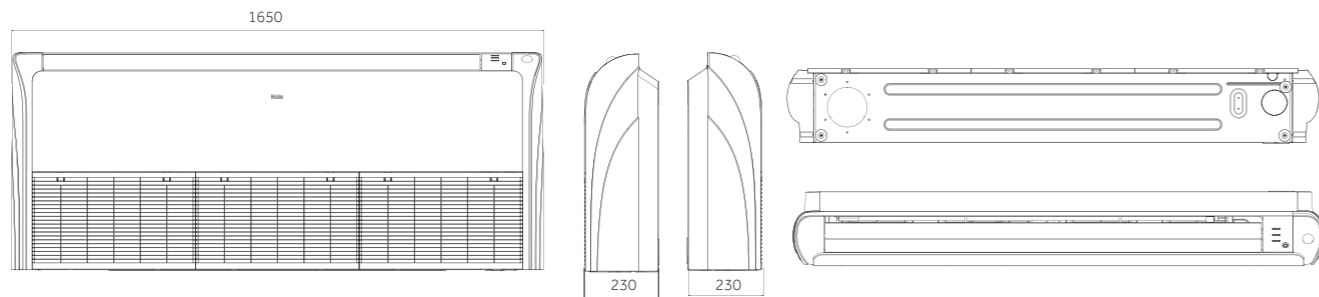


Left or right drain outlet

Indoor Platform

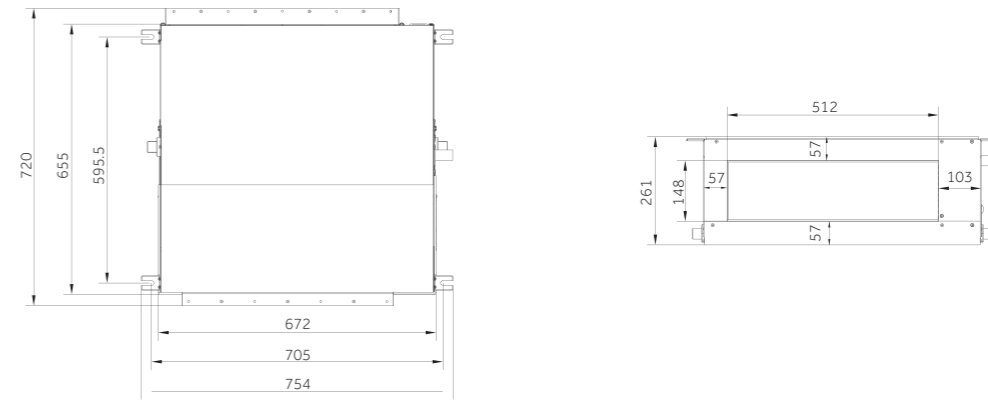
New Convertible Type

AC12S2SK1FA/AC140S2SK1FA/AC160S2SK1FA



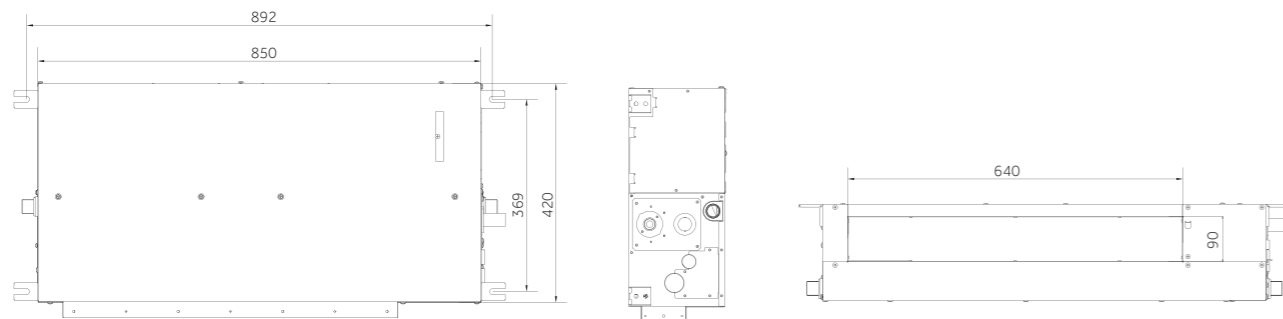
Medium ESP Duct Type

AD12MS1ERA



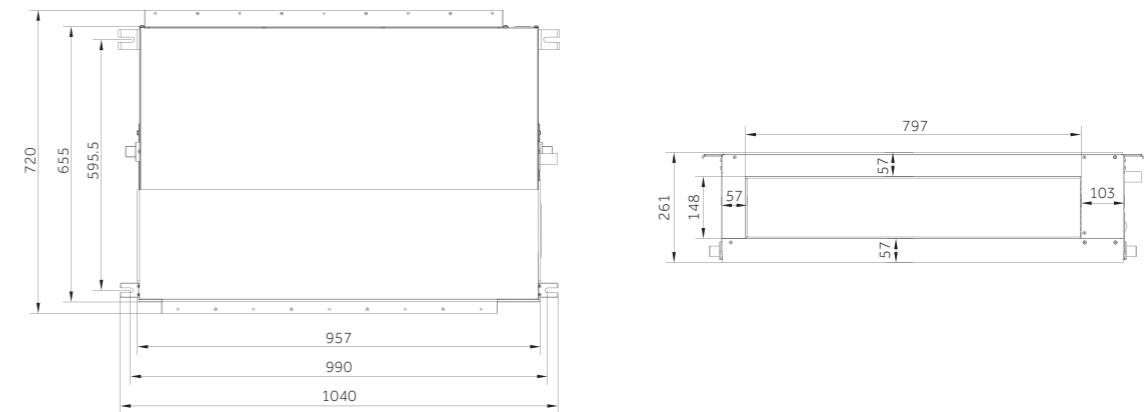
Slim Duct Type

AD12SS1ERA(N) AD25S2SS1FA/AD35S2SS1FA



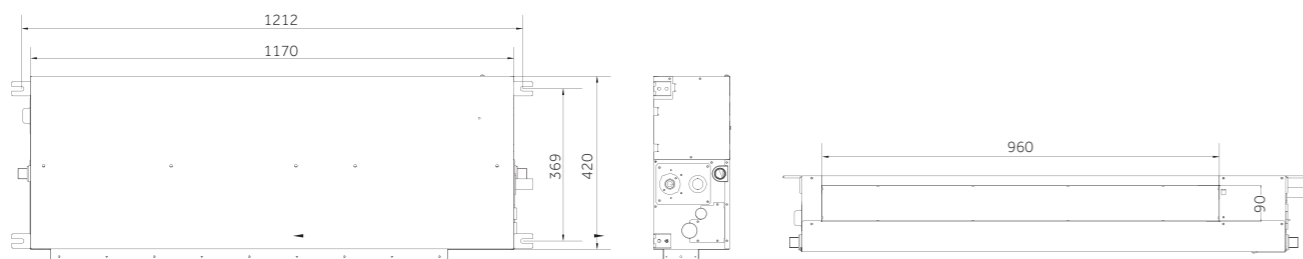
Medium ESP Duct Type

AD18MS1ERA/AD24MS2ERA/AD28MS2ERA(S)



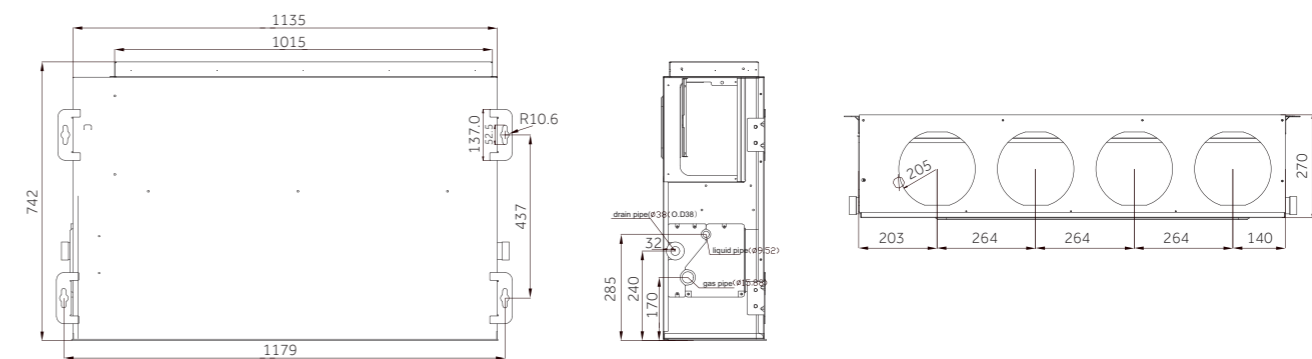
Slim Duct Type

AD50S2SS1FA/AD71S2SS1FA/AD18SS1ERA(N)/AD24SS1ERA(N)



Medium ESP Duct Type

AD36NS1ERA(S)/AD48NS1ERA(S)

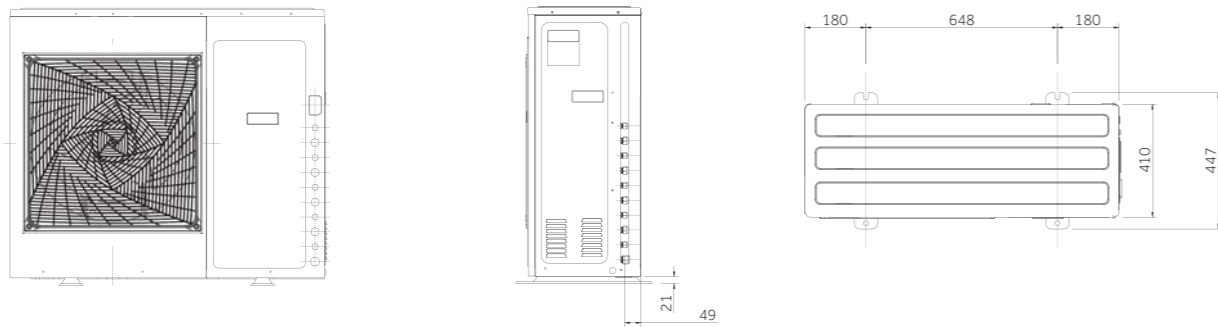


Outdoor Platform(R410A)

Outdoor Platform(R32)

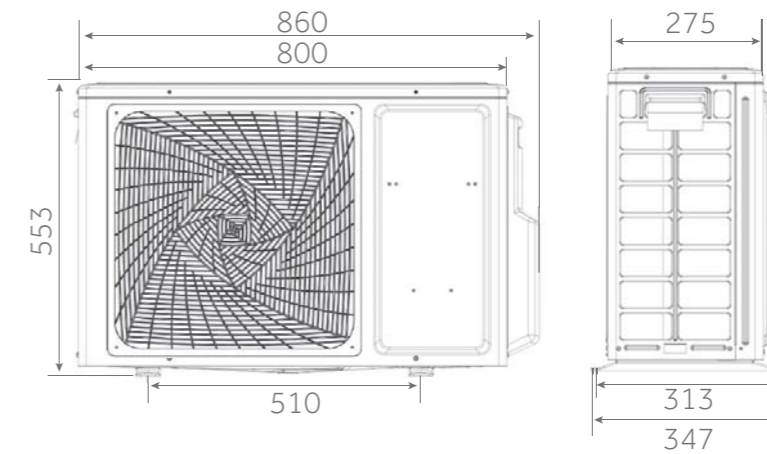
Multi Split

5U45LS1ERA



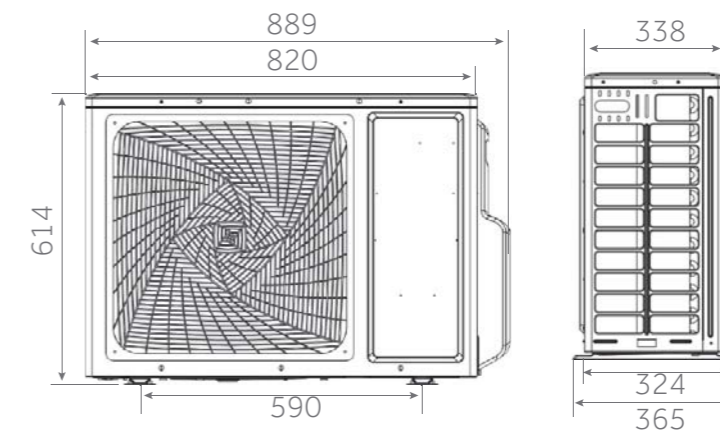
Single Split

1U25S2SM1FA/1U35S2SM1FA/1U42S2SM1FA



Single Split

1U50S2SJ2FA/1U50S2SJ2FA-1



Single Split

1U71S2SR2FA

