



Round way Cassette

4-way Cassete

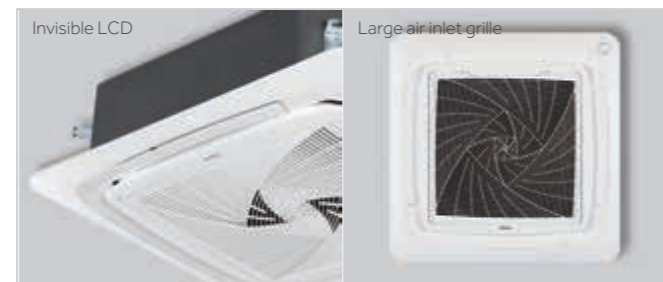
Free air supply and flexible control to enjoy a comfortable environment

The outlet adopts stepper motor design to realize the four-direction independent control system.



Streamlined outlook design

Buy a traditional grille and a dynamic windmill for multi-choice and multi-enjoyment. Buy a dynamic windmill to enjoy a dynamic mood and relax in the wind.



Quiet operation, create a peaceful space

High efficiency brushless DC fan motor, achieve step-less adjustment for speed, greatly reduce the noise of operation. Optimize the traditional air duct design, adopt sound insulation wall technology, effectively reduce the eddy current range, block the transmission path of noise, effectively reduce the noise about 3dB(A).

An optimization design, using the principle of fluid mechanics, referring to the design of aviation structure, so that the airflow speed distribution is uniform, reduce the air flow resistance, so as to reduce noise, to achieve quiet operation. Note: * Other ac motor standards are optional.



Standard drain pump

Standard drain pump, the lift is 700mm and built-in float switch, convenient to cooperate with the actual situation to condensate water discharge air conditioning.

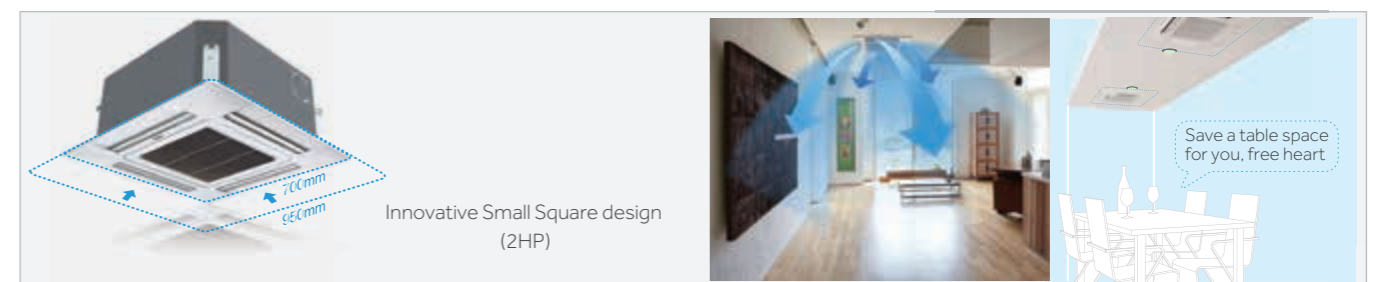
Energy saving control

The product adopts MOVE EYE module (optional), which can be controlled to realize the function of switch-on when people coming in and switch-off when people leaving.



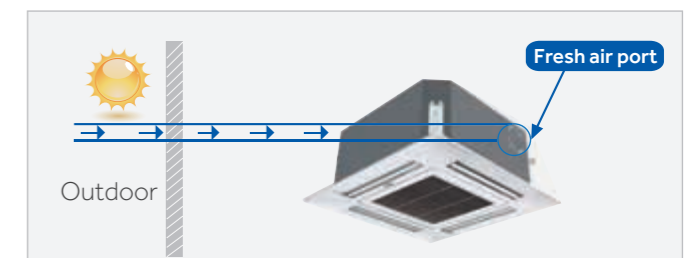
Square panel the whole product unified more beautiful

Square design, makes room decoration more harmonious, beautiful and easy to arrange lighting system. Thin design of indoor unit, the height is only 260mm (2HP), even in a small space can be installed. Stereo air supply, more comfortable.



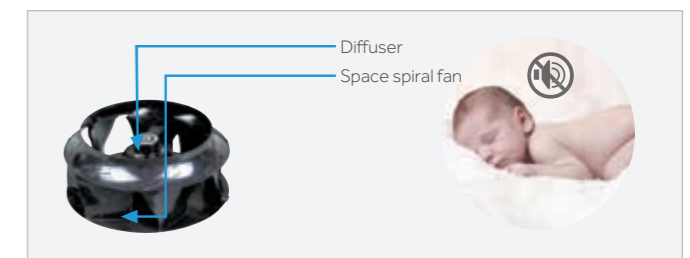
Healthy fresh air function

Unique side air inlet, can open to introduce outdoor fresh air, improve indoor air quality.



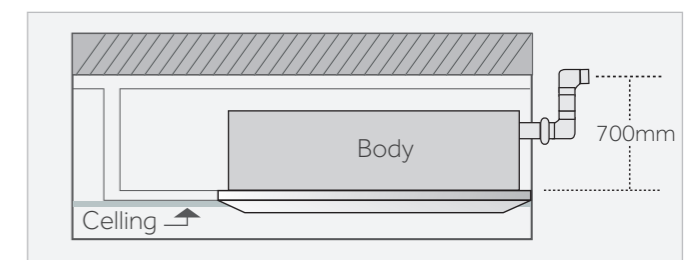
Quiet operation, comfortable experience

Adopt advanced aviation technology of THREE-DIMENSIONAL spiral fan and turbine shaped air duct design, greatly reduce the internal resistance, large air volume, low noise, achieve silent operation.



Standard condensate lift pump

Standard drain pump, the lift is 700mm and built-in float switch, convenient to cooperate with the actual situation to condensate water discharge air conditioning.



Round way CASSETTE



YR-E17A YR-E16B YR-HRS01 YR-HQS01

Round way CASSETTE

Model/Indoor unit			AB072MRERA	AB092MRERA	AB122MRERA	AB162MRERA	AB182MRERA	AB242MRERA	AB282MRERA	AB302MRERA	AB382MRERA	AB482MRERA	AB602MRERA
Capacity	Cooling	kBtu/h	7.5	9.5	12.3	15.3	19.1	24.2	27.3	30.7	38.2	47.7	54.6
		kW	2.2	2.8	3.6	4.5	5.6	7.1	8	9	11.2	14	16
	Heating	Btu/h	8.5	10.9	13.6	17.1	21.5	27.3	30.7	34.1	42.6	54.6	61.2
		kW	2.5	3.2	4	5	6.3	8	9	10	12.5	16	18
Electrical Parameters	Power supply	Ph/V/Hz	1/220-230/50/60	1/220-230/50/60	1/220-230/50/60	1/220-230/50/60	1/220-230/50/60	1/220-230/50/60	1/220-230/50/60	1/220-230/50/60	1/220-230/50/60	1/220-230/50/60	1/220-230/50/60
Performance	Air flow (H)	m ³ /h	1000/810/620	1000/810/620	1000/810/620	1000/810/620	1000/810/620	1380/1190/1000	1380/1190/1000	2050/1860/1670	2050/1860/1670	2100/1910/1720	2100/1910/1720
	Sound pressure level(H/M/L)	dB(A)	30/27/25	30/27/25	30/27/25	32/29/27	33/30/29	35/34/31	37/35/31	37/35/31	37/35/31	37/35/31	44/40/36
Installation	External dimensions(W/D/H)	mm	840/840/183	840/840/183	840/840/183	840/840/183	840/840/183	840/840/204	840/840/204	840/840/246	840/840/246	840/840/288	840/840/288
	Shipping dimensions(W/D/H)	mm	983/983/268	983/983/268	983/983/268	983/983/268	983/983/268	983/983/290	983/983/290	983/983/331	983/983/331	983/983/373	983/983/373
	Net/Shipping weight	kg	25/28	25/28	25/28	25/28	25/28	27/30	27/30	31/36	31/36	33/38	33/38
	Refrigerant liquid pipe	mm	6.35	6.35	6.35	6.35	6.35	9.52	9.52	9.52	9.52	9.52	9.52
	Refrigerant gas pipe	mm	9.52	9.52	12.7	12.7	12.7	15.88	15.88	15.88	15.88	15.88	15.88
Panel	Model name		PB-950KB	PB-950KB	PB-950KB	PB-950KB	PB-950KB	PB-950KB	PB-950KB	PB-950KB	PB-950KB	PB-950KB	PB-950KB
	External dimensions(W/D/H)	mm	950/950/50	950/950/50	950/950/50	950/950/50	950/950/50	950/950/50	950/950/50	950/950/50	950/950/50	950/950/50	950/950/50
	Shipping dimensions(W/D/H)	mm	1013/1025/123	1013/1025/123	1013/1025/123	1013/1025/123	1013/1025/123	1013/1025/123	1013/1025/123	1013/1025/123	1013/1025/123	1013/1025/123	1013/1025/123
	Net/Shipping weight	kg	6.5/9	6.5/9	6.5/9	6.5/9	6.5/9	6.5/9	6.5/9	6.5/9	6.5/9	6.5/9	6.5/9
Controller	Wired(Optional)	/	YR-E17A	YR-E17A	YR-E17A	YR-E17A	YR-E17A	YR-E17A	YR-E17A	YR-E17A	YR-E17A	YR-E17A	YR-E17A
		/	YR-E16B	YR-E16B	YR-E16B	YR-E16B	YR-E16B	YR-E16B	YR-E16B	YR-E16B	YR-E16B	YR-E16B	YR-E16B
	Infrared(Optional)	/	YR-HQS01	YR-HQS01	YR-HQS01	YR-HQS01	YR-HQS01	YR-HQS01	YR-HQS01	YR-HQS01	YR-HQS01	YR-HQS01	YR-HQS01
		/	YR-HRS01	YR-HRS01	YR-HRS01	YR-HRS01	YR-HRS01	YR-HRS01	YR-HRS01	YR-HRS01	YR-HRS01	YR-HRS01	YR-HRS01



DC fan motor



Unique round-way air outlet, no blind spot

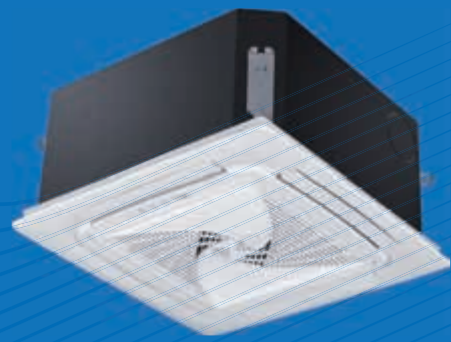


Innovative 4 independent air flow control



6 adjustable louver positions, 1296 air flow combinations

Mini 4-way CASSETTE



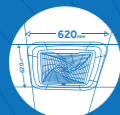
YR-E17A YR-E16B YR-HRS01 YR-HQS01

Mini 4-way CASSETTE

Model/Indoor unit			AB052MCERA(M)	AB072MCERA(M)	AB092MCERA(M)	AB122MCERA(M)	AB162MCERA(M)	AB182MCERA(M)
Capacity	Cooling	kBtu/h	5.1	7.5	9.5	12.3	15.3	19.1
		kW	1.5	2.2	2.8	3.6	4.5	5.6
	Heating	kBtu/h	5.8	8.5	10.9	13.6	17.1	21.5
		kW	1.7	2.5	3.2	4	5	6.3
Electrical Parameters	Power supply	Ph/V/Hz	1/220-240/50/60	1/220-240/50/60	1/220-240/50/60	1/220-240/50/60	1/220-240/50/60	1/220-240/50/60
	Air flow (H/M/L)	m³/h	520/450/400	520/450/400	520/450/400	520/450/400	650/520/450	760/650/520
Performance	Sound pressure level(H/M/L)	dB(A)	32/30/29	32/30/29	32/30/29	33/30/29	33/30/29	34/32/30
	Sound power level(H/M/L)	dB(A)	46/44/43	46/44/43	46/44/43	47/44/43	47/44/43	48/46/44
	External dimensions(W/D/H)	mm	570/570/260	570/570/260	570/570/260	570/570/260	570/570/260	570/570/260
Installation	Shipping dimensions(W/D/H)	mm	718/680/380	718/680/380	718/680/380	718/680/380	718/680/380	718/680/380
	Net/Shipping weight	kg	16/19	16/19	16/19	19/22	19/22	19/22
	Refrigerant liquid pipe	mm	6.35	6.35	6.35	6.35	6.35	6.35
	Refrigerant gas pipe	mm	9.52	9.52	9.52	12.7	12.7	12.7
	Model Name		PB-620KB	PB-620KB	PB-620KB	PB-620KB	PB-620KB	PB-620KB
Panel	External dimensions(W/D/H)	mm	620/620/60	620/620/60	620/620/60	620/620/60	620/620/60	620/620/60
	Shipping dimensions(W/D/H)	mm	660/660/115	660/660/115	660/660/115	660/660/115	660/660/115	660/660/115
Controller	Wired(Optional)	/	YR-E16B	YR-E16B	YR-E16B	YR-E16B	YR-E16B	YR-E16B
		/	YR-E17A	YR-E17A	YR-E17A	YR-E17A	YR-E17A	YR-E17A
	Infrared (Optional)	/	YR-HQS01	YR-HQS01	YR-HQS01	YR-HQS01	YR-HQS01	YR-HQS01
		/	YR-HRS01	YR-HRS01	YR-HRS01	YR-HRS01	YR-HRS01	YR-HRS01



DC fan motor



New panel design
620*620mm

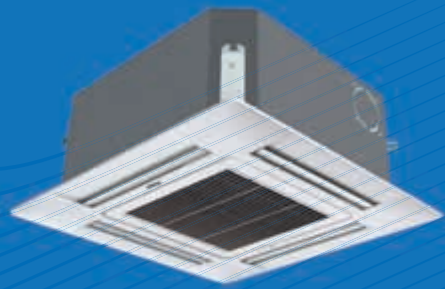


Fresh air outlet



Low sound level

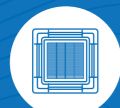
4-way CASSETTE



HW-BA116ABK YR-E17A HW-BA101ABT YR-E16B YR-HRS01

4-way CASSETTE

Model/Indoor unit			AB052MCERA	AB072MCERA	AB092MCERA	AB122MCERA	AB162MCERA	AB182MCERA(C)
Capacity	Cooling	kBtu/h	5.1	7.5	9.5	12.3	15.3	19.1
		kW	1.5	2.2	2.8	3.6	4.5	5.6
	Heating	Btu/h	5.8	8.5	10.9	13.6	17.1	21.5
		kW	1.7	2.5	3.2	4	5	6.3
Electrical Parameters	Power supply	Ph/V/Hz	1/220-230/50/60	1/220-230/50/60	1/220-230/50/60	1/220-230/50/60	1/220-230/50/60	1/220-230/50/60
	Air flow (H)	m³/h	650/540/430	700/590/480	700/590/480	700/590/480	700/590/480	700/590/480
Performance	Sound pressure level(H/M/L)	dB(A)	31/29/28	32/30/29	32/30/29	32/30/29	33/30/29	33/30/29
	Sound power level(H/M/L)	dB(A)	45/43/42	46/44/43	46/44/43	46/44/43	47/44/43	47/44/43
	Installation	External dimensions(W/D/H)	mm	570/570/260	570/570/260	570/570/260	570/570/260	570/570/260
Shipping dimensions(W/D/H)		mm	718/680/380	718/680/380	718/680/380	718/680/380	718/680/380	718/680/380
Net/Shipping weight		kg	16/19	16/19	16/19	19/22	19/22	19/22
Refrigerant liquid pipe		mm	6.35	6.35	6.35	6.35	6.35	6.35
Refrigerant gas pipe		mm	9.52	9.52	9.52	12.7	12.7	12.7
Panel	Model name		PB-700IB	PB-700IB	PB-700IB	PB-700IB	PB-700IB	PB-700IB
	External dimensions(W/D/H)	mm	700/700/60	700/700/60	700/700/60	700/700/60	700/700/60	700/700/60
	Shipping dimensions(W/D/H)	mm	740/740/115	740/740/115	740/740/115	740/740/115	740/740/115	740/740/115
	Net/Shipping weight	kg	2.8/4.5	2.8/4.5	2.8/4.5	2.8/4.5	2.8/4.5	2.8/4.5
Controller	Wired(Optional)	/	HW-BA101ABT	HW-BA101ABT	HW-BA101ABT	HW-BA101ABT	HW-BA101ABT	HW-BA101ABT
		/	YR-E16B	YR-E16B	YR-E16B	YR-E16B	YR-E16B	YR-E16B
		/	HW-BA116ABK	HW-BA116ABK	HW-BA116ABK	HW-BA116ABK	HW-BA116ABK	HW-BA116ABK
		/	YR-E17A	YR-E17A	YR-E17A	YR-E17A	YR-E17A	YR-E17A
	Infrared (Optional)	/	YR-HRS01	YR-HRS01	YR-HRS01	YR-HRS01	YR-HRS01	YR-HRS01



700x700mm panel design



Pre-set fresh air inlet

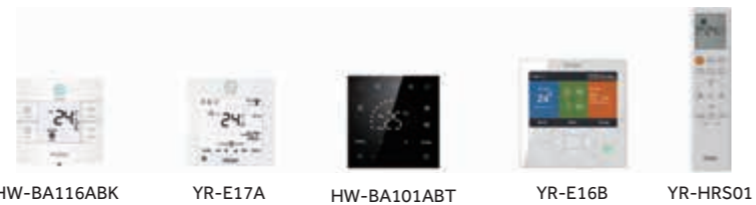


Built-in high head drain pump



Quiet operation

4-way CASSETTE



HW-BA116ABK

YR-E17A

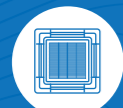
HW-BA101ABT

YR-E16B

YR-HRS01

4-way CASSETTE

Model/Indoor unit			AB182MNERA	AB242MNERA	AB282MNERA	AB302MNERA	AB382MNERA	AB482MNERA	AB602MNERA
Capacity	Cooling	kBtu/h	19.1	24.2	27.3	30.7	38.2	47.8	54.6
		kW	5.6	7.1	8	9	11.2	14	16
	Heating	Btu/h	21.5	27.3	30.7	34.1	42.7	54.6	61.2
		kW	6.3	8	9	10	12.5	16	18
Electrical Parameters	Power supply	Ph/V/Hz	1,220-230/50/60	1,220-230/50/60	1,220-230/50/60	1,220-230/50/60	1,220-230/50/60	1,220-230/50/60	1,220-230/50/60
	Air flow (H)	m ³ /h	1000/810/620	1380/1190/1000	1380/1190/1000	2050/1860/1670	2050/1860/1670	2100/1910/1720	2100/1910/1720
Performance	Sound pressure level(H/M/L)	dB(A)	33/30/29	35/34/31	37/35/31	37/35/31	37/35/31	44/40/36	44/40/36
	Sound power level(H/M/L)	dB(A)	47/44/43	49/48/45	51/49/45	51/49/45	51/49/45	58/54/50	58/54/50
Installation	External dimensions(W/D/H)	mm	840/840/183	840/840/204	840/840/204	840/840/246	840/840/246	840/840/288	840/840/288
	Shipping dimensions(W/D/H)	mm	983/983/268	983/983/290	983/983/290	983/983/331	983/983/331	983/983/373	983/983/373
	Net/Shipping weight	kg	25/28	25/28	25/28	25/28	25/28	25/28	25/28
	Refrigerant liquid pipe	mm	6.35	9.52	9.52	9.52	9.52	9.52	9.52
	Refrigerant gas pipe	mm	12.7	15.88	15.88	15.88	15.88	15.88	15.88
Panel	Model name		PB-950JB	PB-950JB	PB-950JB	PB-950JB	PB-950JB	PB-950JB	PB-950JB
	External dimensions(W/D/H)	mm	950/950/60	950/950/60	950/950/60	950/950/60	950/950/60	950/950/60	950/950/60
	Shipping dimensions(W/D/H)	mm	992/992/115	992/992/115	992/992/115	992/992/115	992/992/115	992/992/115	992/992/115
	Net/Shipping weight	kg	6/7.5	6/7.5	6/7.5	6/7.5	6/7.5	6/7.5	6/7.5
Controller	Wired(Optional)	/	HW-BA101ABT	HW-BA101ABT	HW-BA101ABT	HW-BA101ABT	HW-BA101ABT	HW-BA101ABT	HW-BA101ABT
		/	YR-E16B	YR-E16B	YR-E16B	YR-E16B	YR-E16B	YR-E16B	YR-E16B
		/	HW-BA116ABK	HW-BA116ABK	HW-BA116ABK	HW-BA116ABK	HW-BA116ABK	HW-BA116ABK	HW-BA116ABK
		/	YR-E17A	YR-E17A	YR-E17A	YR-E17A	YR-E17A	YR-E17A	YR-E17A
	Infrared (Optional)	/	YR-HRS01	YR-HRS01	YR-HRS01	YR-HRS01	YR-HRS01	YR-HRS01	YR-HRS01



700x700mm panel design



Pre-set fresh air inlet



Built-in high head drain pump

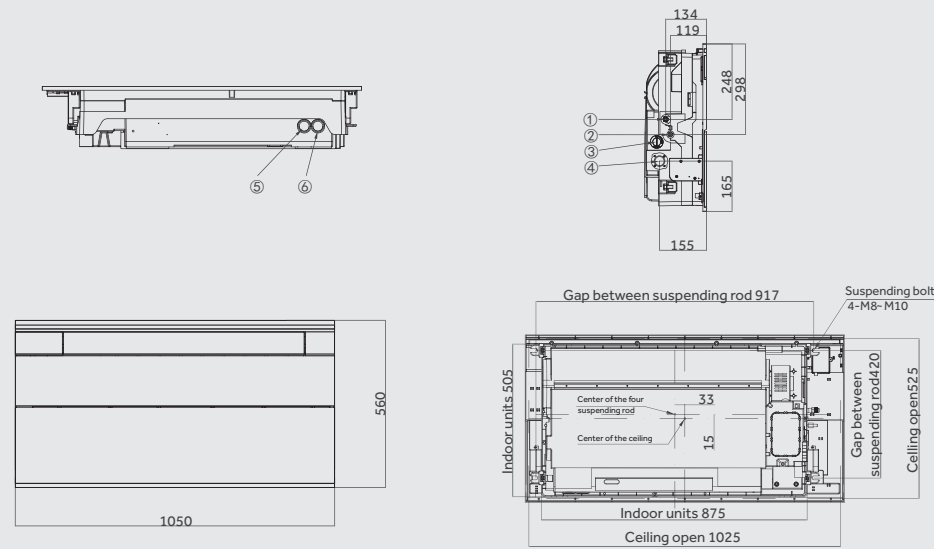


Quiet operation

Dimensions

1-way Cassette

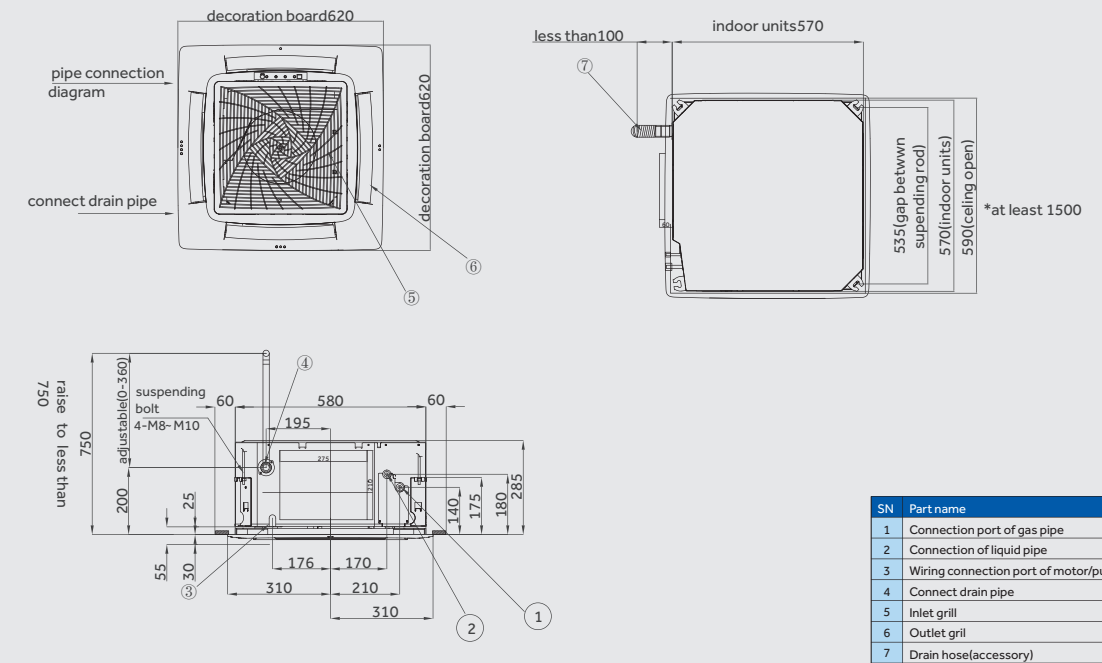
AB052MAERA AB072MAERA AB092MAERA AB122MAERA



SN	Part Name
1	Gas pipe
2	Liquid pipe
3	Water filling hole
4	Drain pipe
5	Power supply
6	Communication wire

Mini 4-way Cassette

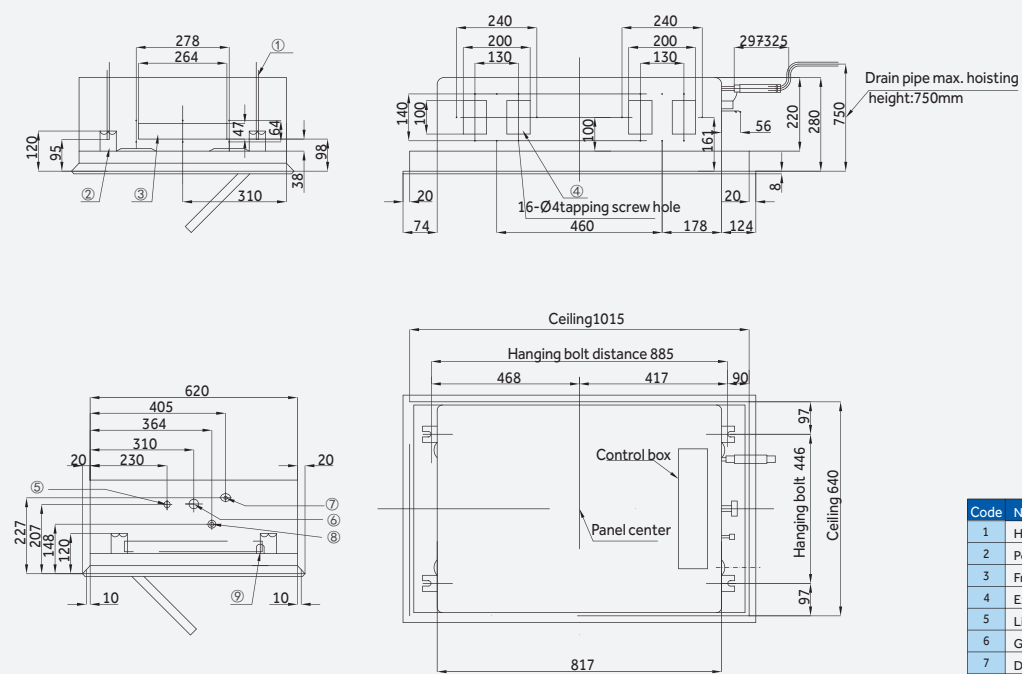
AB052MCERA(M) AB072MCERA(M) AB092MCERA(M)
AB122MCERA(M) AB162MCERA(M) AB182MCERA(M)



SN	Part name
1	Connection port of gas pipe
2	Connection of liquid pipe
3	Wiring connection port of motor/pumping motor
4	Connect drain pipe
5	Inlet grille
6	Outlet grille
7	Drain hose(accessory)

2-way Cassette

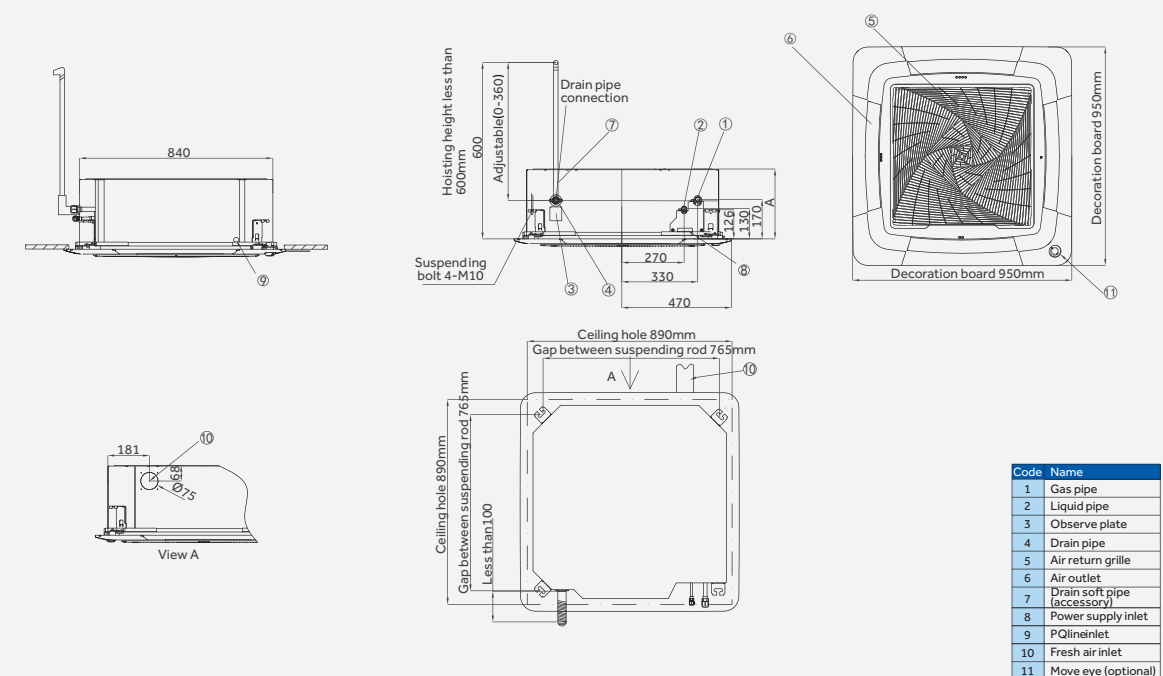
AB072MBERA AB092MBERA AB122MBERA AB162MBERA AB182MBERA



Code	Name
1	Hanging bolt
2	Pothook
3	Fresh air entrance
4	Exhaust outlet: 4
5	Liquid pipe connect hole
6	Gas pipe connect hole
7	Drain pipe connect hole
8	Natural drain
9	Power line entrance

Round Flow 4-way Cassette

AB072MRERA AB092MRERA AB122MRERA AB162MRERA AB162MRERA AB242MRERA
AB282MRERA AB302MRERA AB302MRERA AB482MRERA AB602MRERA

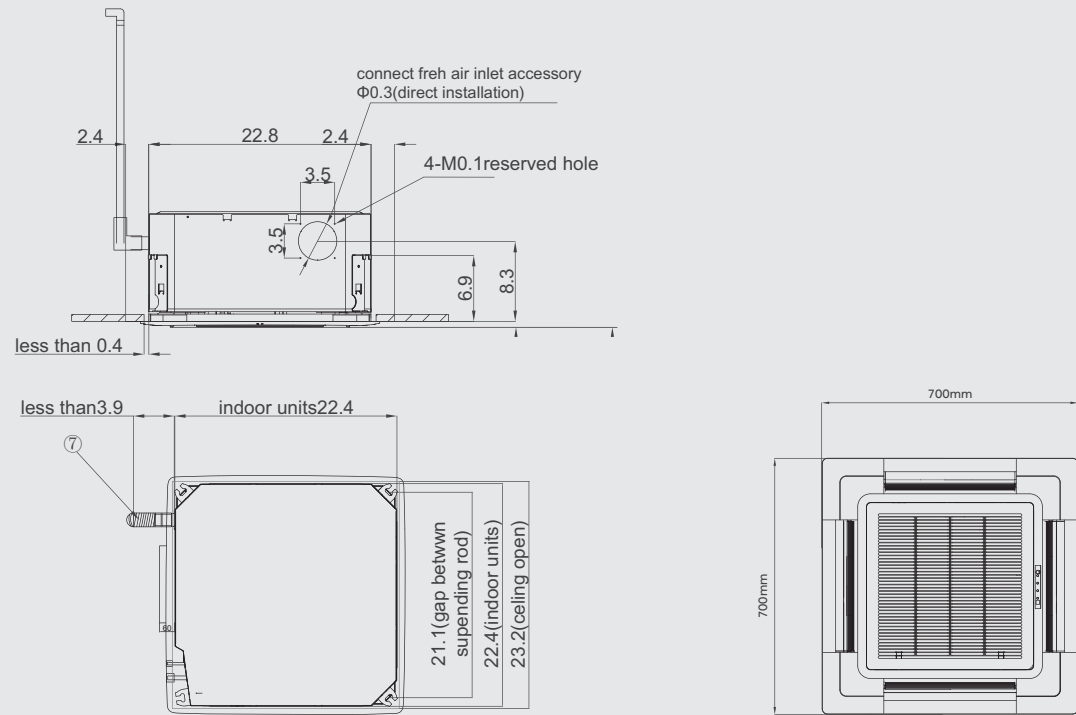


Code	Name
1	Gas pipe
2	Liquid pipe
3	Observe plate
4	Drain pipe
5	Air return grille
6	Air outlet
7	Drain soft pipe (accessory)
8	Power supply inlet
9	PQlineinlet
10	Fresh air inlet
11	Move eye (optional)

Dimensions

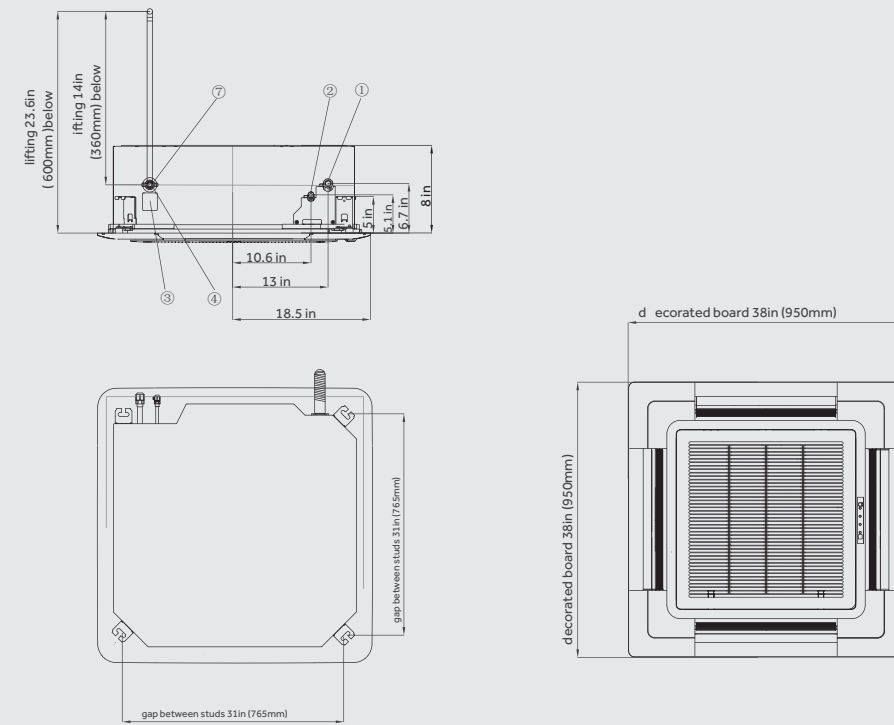
4-way Cassette

AB052MCERA AB072MCERA AB092MCERA AB122MCERA AB162MCERA AB182MCERA(C)



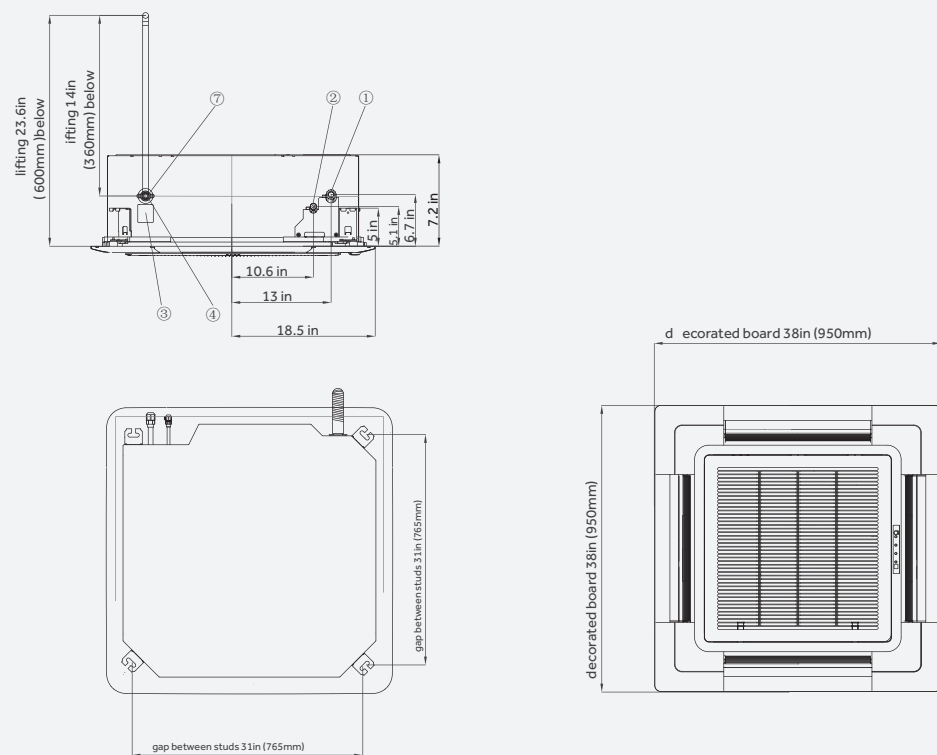
4-way Cassette

AB242MNERA AB282MNERA



4-way Cassette

AB182MNERA



4-way Cassette

AB302MNERA AB382MNERA

